



KEY FEATURES

- Available with 30° (narrow) or 100° (wide) optics
- Designed for Hazardous locations
- IP66/67 GORE vented enclosure
- Easy field angle adjustment
- Lifespan up to 100,000 hours*
- Available in multiple lengths and a variety of LED colours



MODEL NUMBER SELECTOR

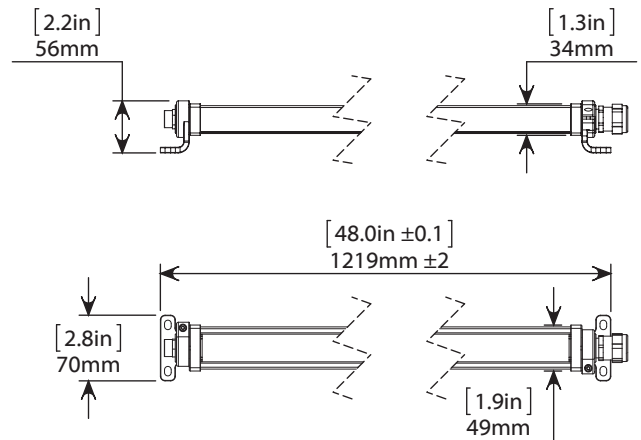
Example: GSLEDIP48-CW-W-BLK-C1D2-24VDC-IP66

MODEL	COLOUR	OPTIC	FINISH	LOCATION	POWER	INGRESS
GSLEDIP48			BLK	C1D2		IP66
	CW- Cool White NW- Neutral White WW- Warm White CUS- Custom <i>Contact for custom colour</i>	N- Narrow W- Wide	BLK- Black Anodized	C1D2- Class 1, Div 2 <i>Also available for General Locations See GSLEDIP12-GEN-IP66</i>	12VDC- 12 Volts DC 24VDC- 24 Volts DC	IP66 IP54- See GSLEDIP-C1D2

TECHNICAL SPECIFICATIONS / MAXIMUM RATINGS

HOUSING	Type III Hard Anodized Aluminum
MOUNTING	Adjustable Mounting Brackets (Other Options See Pg2)
VOLTAGE MAXIMUM	12VDC: 16 VDC 24VDC: 28 VDC
TYPICAL INPUT VOLTAGE	12VDC: 11-16 VDC 24VDC: 22-28 VDC
POWER	33.6 W
CURRENT	2.64 A @12 VDC 1.32 A @ 24 VDC
CONNECTIONS	6Ft Flying Lead (Custom Lengths Available)
TEMPERATURE RANGE	-40° C to +65° C
TYPICAL CASE TEMPERATURE	~15° C Above Ambient Temperature
CERTIFICATIONS	Certified To CSA 22.2 No. 250.0, Conforms To UL 1598 Standard, Class 1 Division 2 Groups ABCD, T3 Pending - Ex nA IIC T4Gc
INGRESS PROTECTION	IP66 / 67
COLOUR TEMP RANGE	CW: 6500K NW: 4300K WW: 3500K
CRI VALUE	CW: 75 NW: 75 WW: 80
TOTAL LUMENS	CW-W: 2289 CW-N: 2236
LUMEN MAINTENANCE	LM-80 > 60,500 hrs (Based on CREE long term testing)
WEIGHT	5.3 lb 2.4 kg

DIMENSIONS

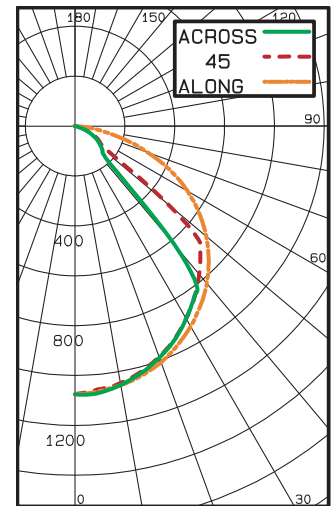
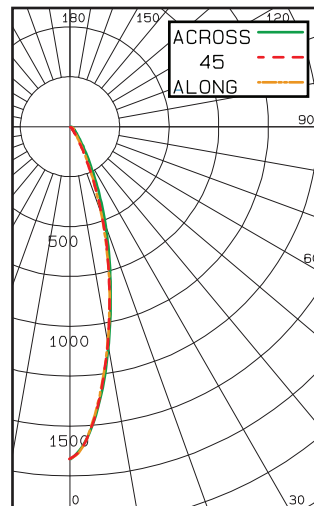
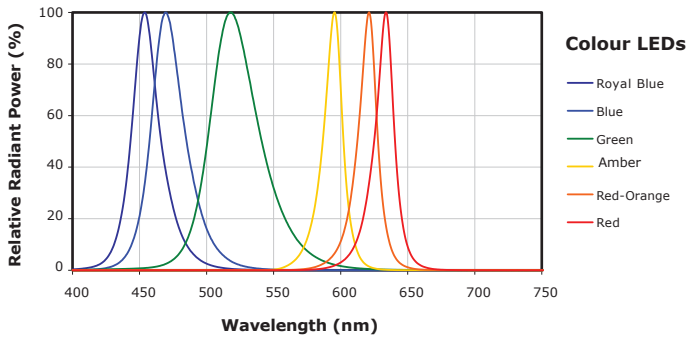
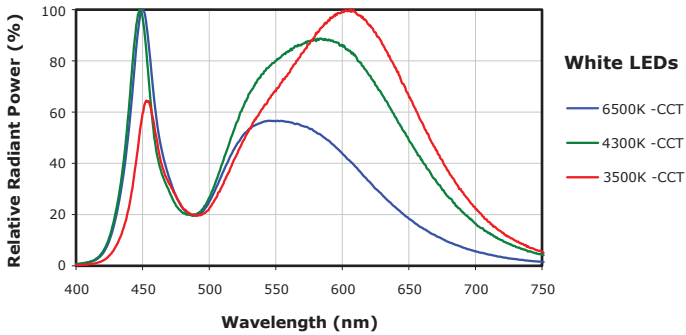


Alternate Lengths: (See respective Model Specification Sheets for details)

- GSLEDIP12-IP66 14.5" [367mm]
- GSLEDIP24-IP66 26.0" [665mm]
- GSLEDIP36-IP66 37.5" [939mm]

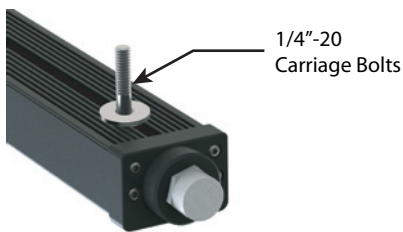
*The ambient temperature during lifetime, lumen and chromaticity determination is 25° C ± 1° C

PHOTOMETRICS



MOUNTING OPTIONS

SURFACE MOUNT



OPTIC OPTIONS

WIDE



NARROW



CUSTOM OPTIONS

WIRING

Other wire lengths available in 1 foot increments.

STANDARD ADJUSTABLE MOUNTING BRACKET

