

KEY FEATURES

- Available with 19° (spot), 25° (narrow), 40° (medium), 125° (wide/frosted), NEMA 6x3 or Forward Kick optics
- Hazardous location rated
- Thermally managed for maximum longevity
- Multiple adjustable mounting options
- Efficiency up to 90 Lumen per Watt



MODEL NUMBER SELECTOR

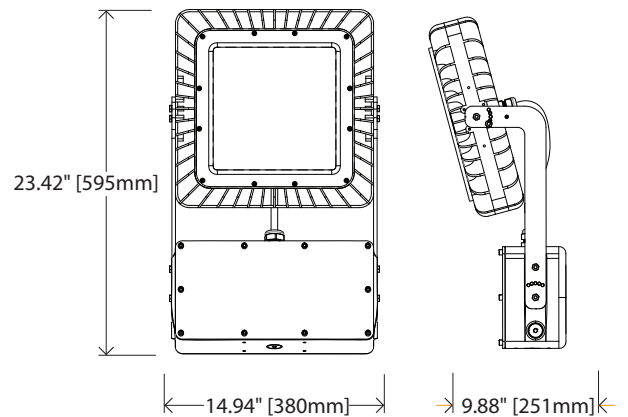
Example: RSLED-CW-WF-GRY-GEN-WAL-VAC

MODEL	COLOUR	OPTIC	FINISH	LOCATION	MOUNT	POWER
RSLED	CW- Cool White NW- Neutral White WW- Warm White	S -Spot 19° N -Narrow 25° M -Medium 40° W -Wide 125° WF -Wide Frosted 125° FK -Forward Kick 6X3 -Nema Type 6x3	GRY-Grey BLK -Black WHT -White CUS -Custom * <i>*Additional costs apply</i>	GEN- General C1D2- Class 1, Div 2	POL - Pole Mount WAL - Wall Mount HBY - High Bay	VAC - 90-277VAC VACHP - 90-277VAC HDC - 127-300VDC 347 - 347-477VAC

TECHNICAL SPECIFICATIONS / MAXIMUM RATINGS

HOUSING	Die-cast Aluminium and Machined Aluminum
MOUNTING	Mounting Brackets (Other Options Available See Pg2)
VOLTAGE MAXIMUM	VAC: 277VAC VACHP: 277VAC HDC: 300VDC 347: 477VAC
INPUT VOLTAGE	VAC: 90-277 VAC VACHP: 90-277 VAC HDC: 120-390VDC 347: 347-477VAC
POWER	VAC: 270W Max VACHP: 125W Max HDC: 270W Max 347: 360W Max
CURRENT	2.3A@115VAC 1.0A@277VAC 0.5A@277VAC (VACHP) 0.8A@347VAC
CONNECTIONS	3/4" NPT x5
TEMPERATURE RANGE	-40° C to +50° C
TYPICAL CASE TEMPERATURE	~40° C Above Ambient Temperature
CERTIFICATIONS	cCSAus: Class I, Division 2, Groups ABCD; Class II, Division 1 and 2, Groups EFG; Class III; T4; Canada: Zone 2, Ex nA IIC, T4; Zone 20; USA: Class I, Zone 2, AEx nA IIC, T4; Zone 20; IECEX: Group II: Ex nA IIC T4 or 133.5°C Gc Group III: Ex tb IIIC T95°C Db
INGRESS PROTECTION	IP65 IP66 **PENDING**
COLOUR TEMP RANGE	CW: 6500K NW: 4300K WW: 3500K
CRI VALUE	CW: 80 NW: 80 WW: 80
TOTAL LUMENS	VAC HDC 347: S: 20556 M: 20395 WF: 21713 FK: 19084 VACHP: S: 12300 M: 12200 WF: 12780 FK: 11450
LUMEN MAINTENANCE	LM-80 > 100,000 hrs (Based on CREE long term testing)
WEIGHT	16.3 kg 36 lbs

DIMENSIONS



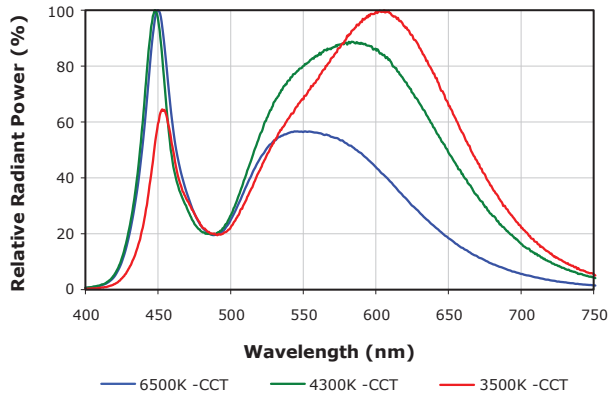
WARRANTY

Five (5) year limited warranty to the original purchaser. The warranty covers defects in materials and workmanship under normal use and service.

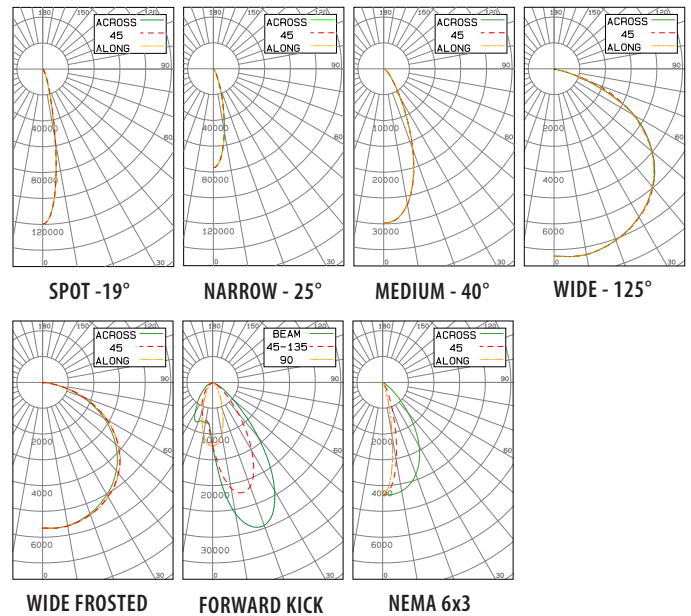
For additional information see:
<http://www.nemalux.com/company/warranty-policy/>

* The ambient temperature during lifetime, lumen and chromaticity determination is 25° C ± 1° C

PHOTOMETRICS



OPTIC OPTIONS



MOUNTING OPTIONS

HIGH BAY



- High/Low Bay mounting:
- Suspended by Chain (Brackets available upon request)
 - Direct Conduit
 - Surface mounted with wall bracket



POLE MOUNT



2-3/8" Standard Tenon

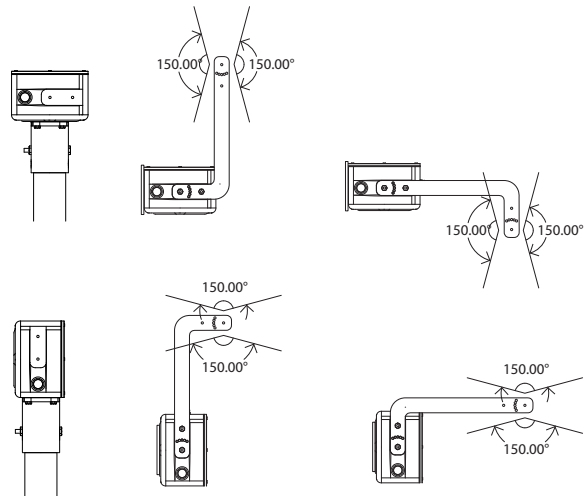
SURFACE MOUNT



ADJUSTABLE BRACKETS

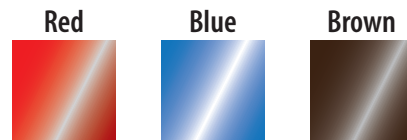
Pole and Surface Mount can mount to the bottom and back of the junction box.

Eleven mounting angles in 15° increments.



CUSTOM FINISHES

Powder Coated Aluminum



Please contact for further options