



KEY FEATURES

- Hazardous location available
- Thermally managed for maximum longevity
- Adjustable mounting bracket
- Lifespan up to 100,000 hours
- Robust construction suitable for outdoor applications
- Built-in Junction Box for easy wiring



MODEL NUMBER SELECTOR

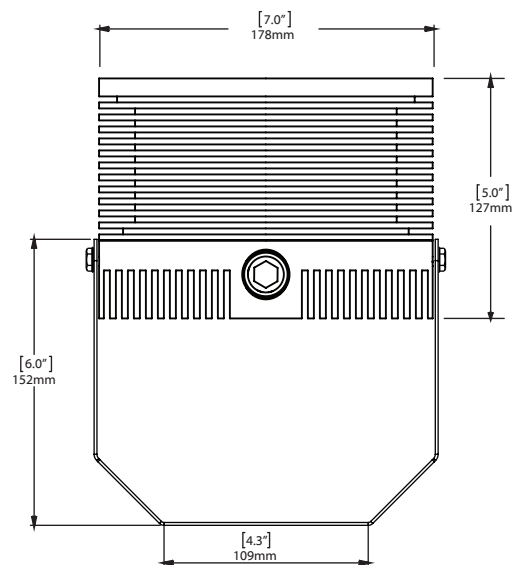
Example: XCANLEDAC-CW-W-ALU-FLY-C1D2

MODEL	COLOUR	OPTIC	FINISH	CONNECTION	LOCATION
XCANLEDAC					C1D2
	CW - Cool White NW - Neutral White WW - Warm White CUS - Custom <i>Contact for custom colour</i>	W -Wide WF -Wide Frosted	ALU -Aluminium CUS -Custom <i>See pg2 for custom finishes</i>	FLY -Flying Lead CON -Conduit Entry	C1D2 - Class1, Div 2 <i>GEN Available for General Locations</i> <i>See XCANLEDDC-GEN</i>

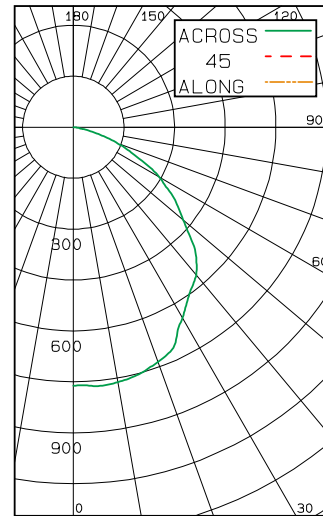
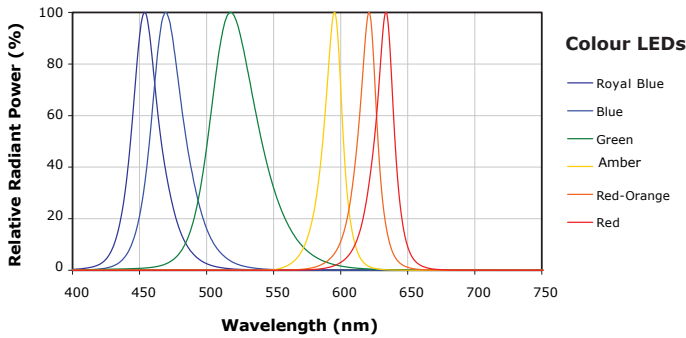
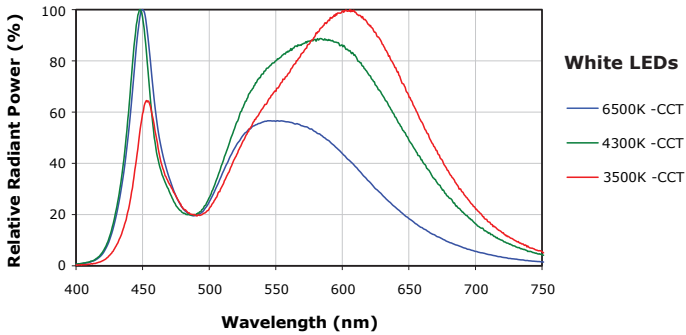
TECHNICAL SPECIFICATIONS / MAXIMUM RATINGS

HOUSING	Aluminum
MOUNTING	3/4" Conduit, Aluminum 1" Yoke with 1/4"-20 screws
VOLTAGE	100 - 240 VAC, 50 / 60 Hz
POWER MAXIMUM	60W
CURRENT MAXIMUM	0.5 A @ 120 VAC
CONNECTIONS	6ft Flying Lead or 3/4" NPT Black: Line White: Neutral Green: GND
TEMPERATURE RANGE	-40° C to +45° C
TYPICAL CASE TEMPERATURE	~20° C Above Ambient Temperature
CERTIFICATIONS	Certified To CSA 22.2 No. 250.0, Conforms To UL 1598 Standard, Class 1 Division 2 Groups ABCD, T3
INGRESS PROTECTION	IP66
COLOUR TEMP RANGE	CW: 6500K NW: 4300K WW: 3500K
CRI VALUE	CW: 75 NW: 75 WW: 80
TOTAL LUMENS	CW-W: 1996 CW-N: 2334
LUMEN MAINTENANCE	LM-80 > 60,500 hrs (Based on CREE long term testing)
WEIGHT	9.5 lb 4.3 kg

DIMENSIONS



PHOTOMETRICS

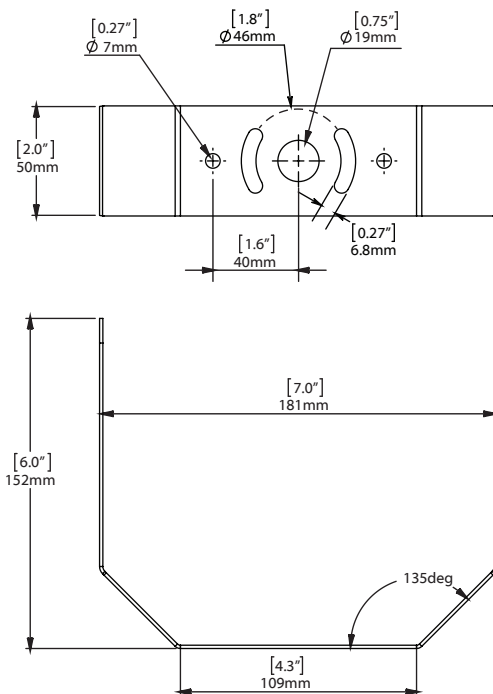


WIDE BEAM
(Clear Lens)



MOUNTING OPTIONS

MOUNTING BRACKET



OPTIC OPTIONS

WIDE BEAM



FROSTED LENS



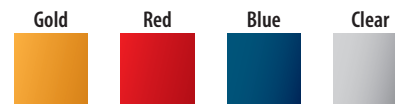
CUSTOM OPTIONS

WIRING

Other wire lengths available in 1 foot increments.

CUSTOM FINISHES

Anodized Aluminum



Please contact for further options