



## KEY FEATURES

- Available in 30° (narrow) or 100° (wide) symmetric optics
- Hazardous location approved
- Thermally managed for maximum longevity
- Robust construction suitable for outdoor applications
- Lifespan up to 100,000 hours
- 12-24 VDC Input Voltage
- Ideal for solar powered applications



## MODEL NUMBER SELECTOR

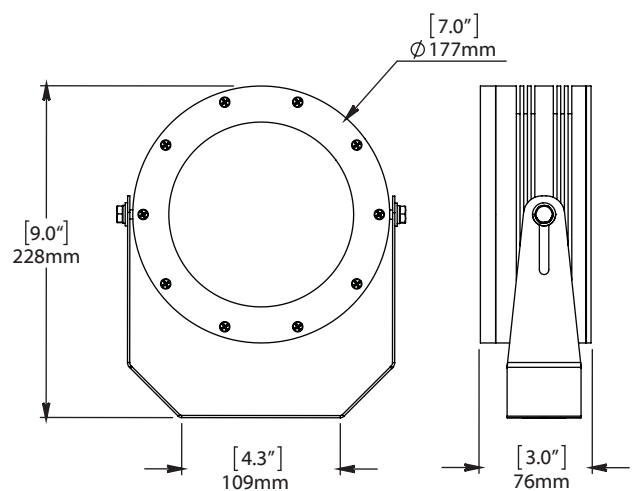
Example: XCANLEDDC-CW-W-ALU-C1D2

MODEL	COLOUR	OPTIC	FINISH	LOCATION
XCANLEDDC				GEN
	<b>CW</b> - Cool White <b>NW</b> - Neutral White <b>WW</b> - Warm White <b>CUS</b> - Custom <i>Contact for custom colour</i>	<b>N</b> - Narrow <b>W</b> - Wide <b>NF</b> - Narrow Frosted <b>WF</b> - Wide Frosted	<b>ALU</b> - Aluminum <b>CUS</b> - Custom <i>See pg2 for custom finishes</i>	<b>GEN</b> - General <i>C1D2 Available for General Locations                      See XCANLEDDC-C1D2</i>

## TECHNICAL SPECIFICATIONS / MAXIMUM RATINGS

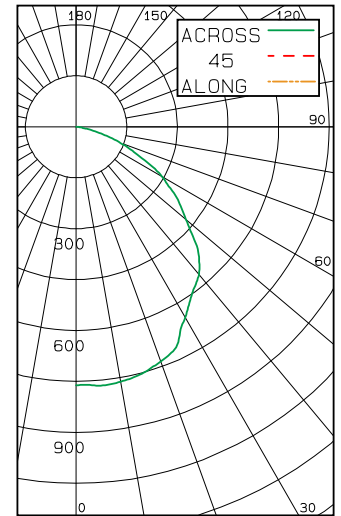
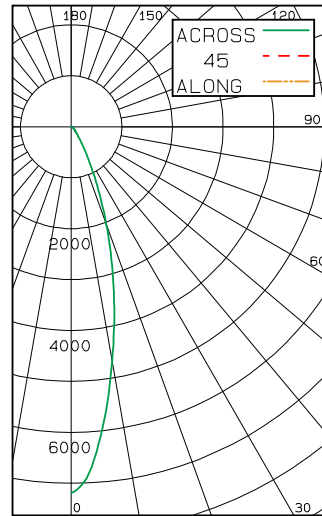
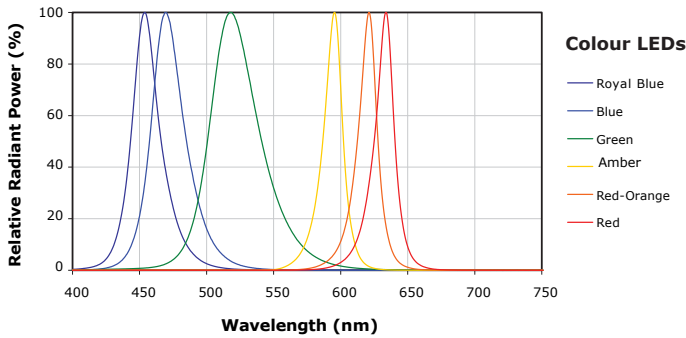
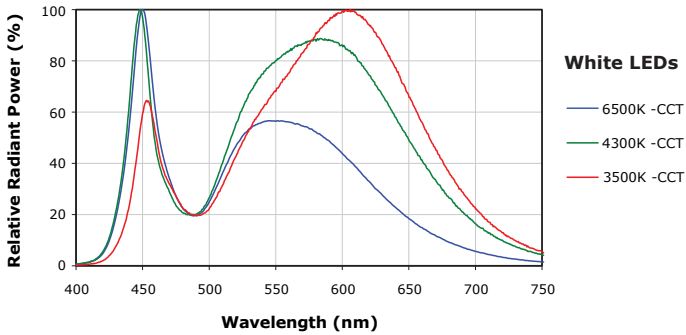
HOUSING	Aluminum
MOUNTING	1/4" - 20 Mounting Screws Aluminum 1" Mounting Yoke
VOLTAGE MAXIMUM	28 VDC
TYPICAL INPUT VOLTAGE	12-24 VDC
POWER	31.6 W @ 12 VDC   33.6 W @ 24 VDC
CURRENT	2.64 A @ 12 VDC , or 1.4 A @ 24 VDC
CONNECTIONS	6Ft Flying Lead   White: + Black: -
TEMPERATURE RANGE	-40° C to +85° C
TYPICAL CASE TEMPERATURE	~20° C Above Ambient Temperature
CERTIFICATIONS	Certified To CSA 22.2 No. 250.0, Conforms To UL 1598 Standard, Class 1 Division 2 Groups ABCD, T3
INGRESS PROTECTION	IP66
COLOUR TEMP RANGE	CW: 6500K   NW: 4300K   WW: 3500K
CRI VALUE	CW: 75   NW: 75   WW: 80
TOTAL LUMENS	CW-W: 1996   C W-N: 2334
LUMEN MAINTENANCE	LM-80 > 60,500 hrs (Based on CREE long term testing)
WEIGHT	4.5lb   2.05 kg

## DIMENSIONS



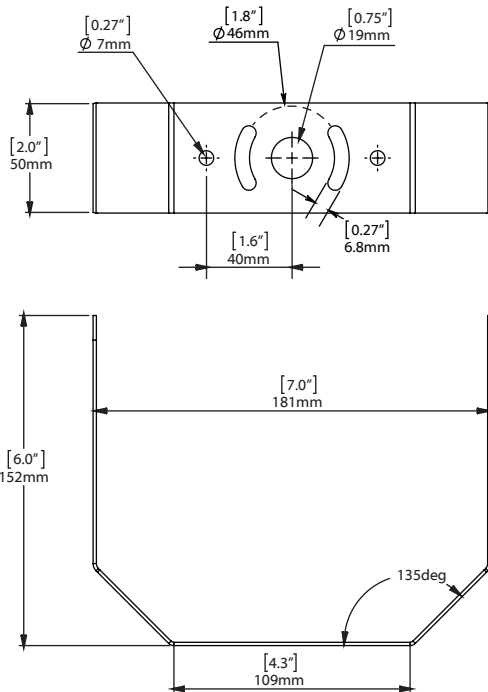
\* The ambient temperature during lifetime, lumen and chromaticity determination is 25° C ± 1° C

PHOTOMETRICS



MOUNTING OPTIONS

MOUNTING BRACKET

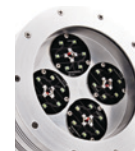


OPTIC OPTIONS

NARROW BEAM



WIDE BEAM



FROSTED LENS



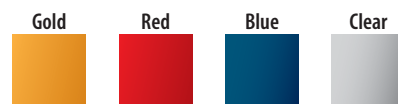
CUSTOM OPTIONS

WIRING

Other wire lengths available in 1 foot increments.

CUSTOM FINISHES

Anodized Aluminum



Please contact for further options